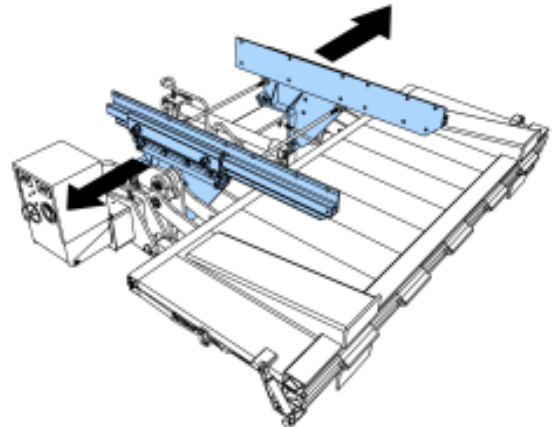
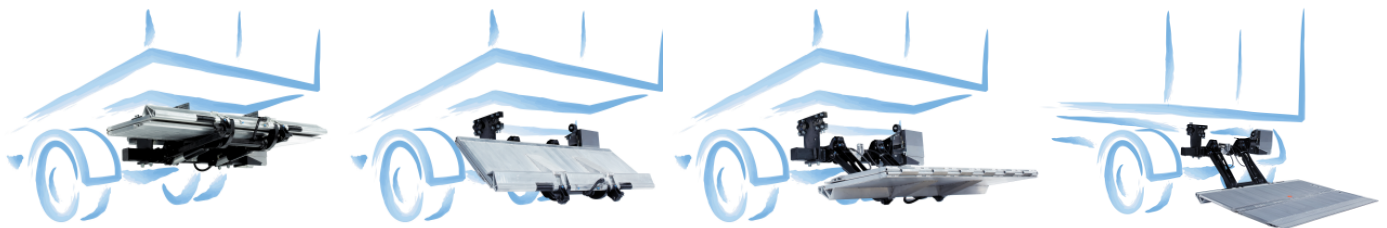


UTK SERIES

SLIDER TAIL LIFTS

Perfection in every detail



- **Less weight - more payload**
- **Easy & quick installation**
- **Long life - low maintenance**

AHT's UTK series of tail lifts consists of a superior and cost effective two cylinder system. Cylinders are mounted inside the lift arms and ensure the stable operation of the platform, even with an uncentred load.

All models are completely assembled, adjusted and tested before leaving the factory. Mounting brackets that simply slide into place enable effortless installation without the need for any welding.



DEFINITELY FUTURE-ORIENTED TAIL LIFT

UTK Model Specifications:

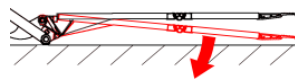
Model	Mechanism	Platform	Capacity kg	Load centre mm	Platform Size W x L mm	Weight kg
UTK-500ST/ST	Steel	Steel	500	500	1525 x 940	240
UTK-500ST/AL	Steel	Aluminum	500	500	1525 x 940	215
UTK-500AL/AL	Aluminum	Aluminum	500	500	1525 x 940	175
UTK-750ST/ST	Steel	Steel	750	500	1800 x 940	244
UTK-750ST/AL	Steel	Aluminum	750	500	1800 x 1200	228
UTK-750AL/AL	Aluminum	Aluminum	750	500	1800 x 1200	203
UTK-1000ST/ST	Steel	Steel	1000	500	2200 x 1500	339
UTK-1000ST/AL	Steel	Aluminum	1000	500	2200 x 1500	322
UTK-1000AL/AL	Aluminum	Aluminum	1000	500	2200 x 1500	275
UTK-1500ST/ST	Steel	Steel	1500	500	2200 x 1700	487
UTK-1500ST/AL	Steel	Aluminum	1500	500	2200 x 1700	460
UTK-1500AL/AL	Aluminum	Aluminum	1500	500	2200 x 1700	332
UTK-2000ST/ST	Steel	Steel	2000	500	2200 x 1700	623
UTK-2000ST/AL	Steel	Aluminum	2000	500	2200 x 1700	578
UTK-2000AL/AL	Aluminum	Aluminum	2000	500	2200 x 1700	465

Standard Inclusions

- Two cables for direct +/- powerpack connection to battery



Hand control with pull out protection



Mechanical auto levelling at the floor



Roll Stops

Optional

- Added platform length
- 3-Button foot control
- Flashing lights
- Additional hand control
- Three bumper mounts
- Electrical Hose Burst Valve

MHW®-Powerpack

Platform lift is achieved by the compact and fully integrated MHW powerpack in a splash proof aluminum box. Its two-button remote control, for Up and Down operation, is equipped with a cord pull-out protector to prevent electrical shorts and other damage. Control switch prevents from unauthorized operating of the tail lift.



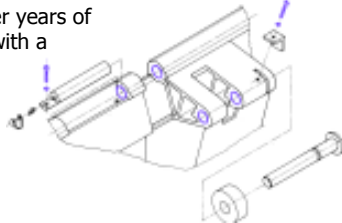
Cylinders

AHT's all-aluminium cylinders are more powerful and weigh less. They have been tested to 1.000,000 cycles without changing seals and are noiseless in operation at all temperature ranges. Their ceramic-coated pistons, and high resistance to salt water and other corrosive substances, ensure a long life span. With mechanical or electrical hose burst valve.



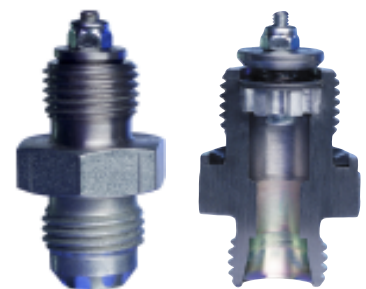
Mounting Pins

The bolts are mounted in DU-bearings. The pins on all-aluminum platforms are mounted in ceramic-coated bearings. Since ceramic is not an electrical conductive material it does avoid corrosion. The pins can be easily removed after years of hard use. All pins are secured with a bracket and the screws are of stainless steel.



Safety First

Cylinders are equipped with mechanical hose-burst valves which are operative during lifting and lowering the platform. The platform will stop immediately if a hose bursts, protecting operator and goods alike.



ALUHEBETECHNIK GmbH

Büro / Office
Hauptplatz 23
A-2474 Gattendorf
Austria / Europe
Telefon: (++43) 2142 64280
Telefax: (++43) 2142 642860
E-Mail: office@aht-mhw.com

Produktion / Plant
Bahnstrasse 34
A-2474 Gattendorf
Austria / Europe
Telefon: (++43) 2142 64360
Telefax: (++43) 2142 64366

 **www.aht-mhw.com**